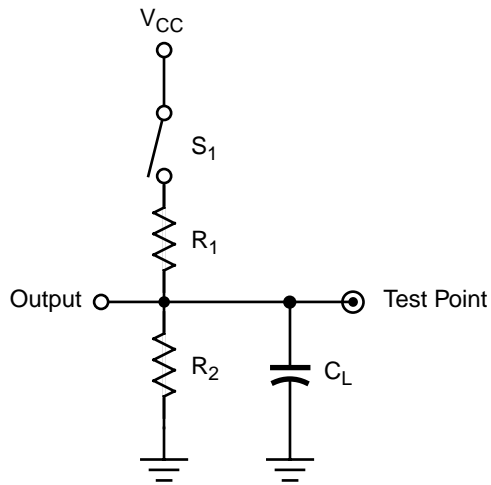


# Switching Test Circuit

## SWITCHING TEST CIRCUIT



Specification	S <sub>1</sub>	C <sub>L</sub>	Commercial		Measured Output Value
			R <sub>1</sub>	R <sub>2</sub>	
t <sub>PD</sub> , t <sub>CO</sub>	Closed	35 pF (30 pF)	300 Ω (1.6 KΩ)	390 Ω (1.6 KΩ)	1.5 V
t <sub>EA</sub>	Z → H: Open Z → L: Closed				
t <sub>ER</sub>	H → Z: Open L → Z: Closed	5 pF			H → Z: V <sub>OH</sub> - 0.5 V L → Z: V <sub>OL</sub> + 0.5 V

**Notes:**

1. Values in parentheses are for 3.3-V devices.
2. Measurements are taken at minimum V<sub>CC</sub> with no more than 4 blocks loading and no more than 4 I/Os switching with a maximum Commercial junction temperature of 100 °C, or Industrial junction temperature of 115 °C.

