

DATA SHEET

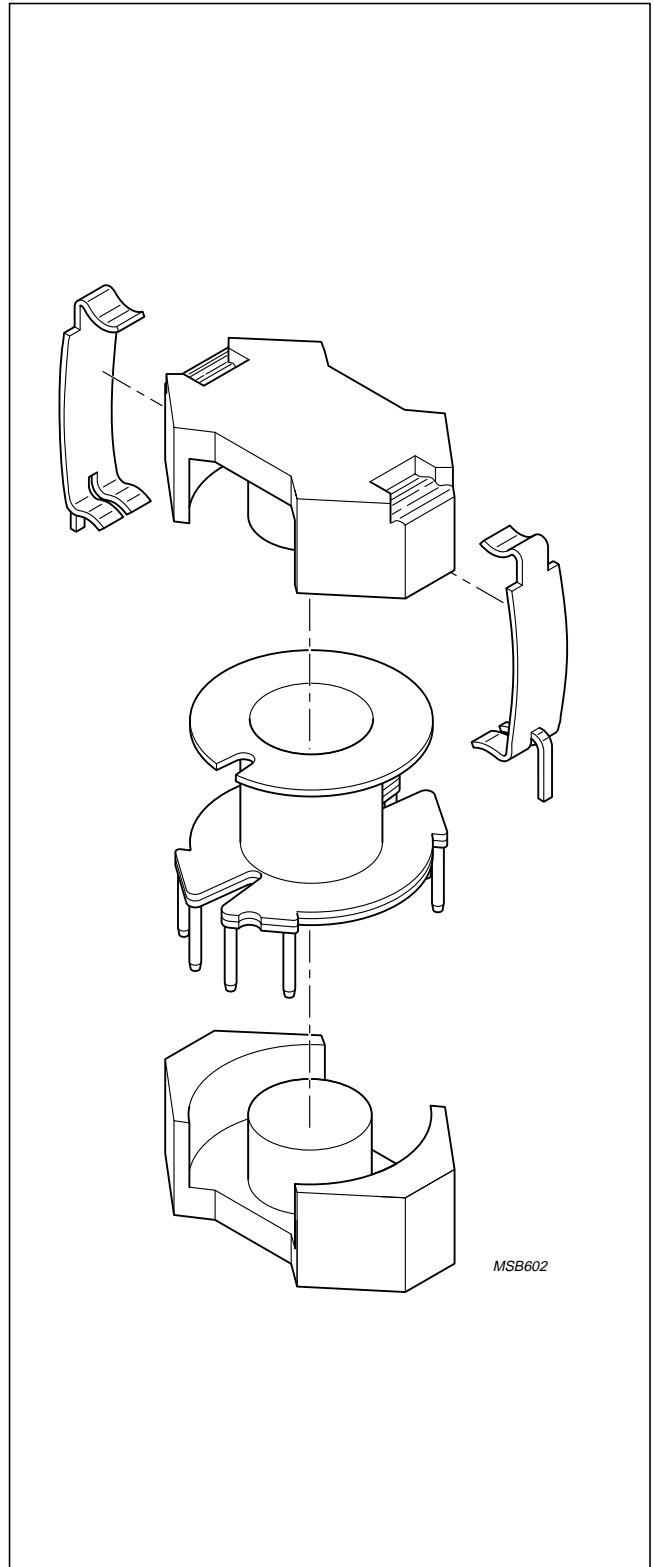
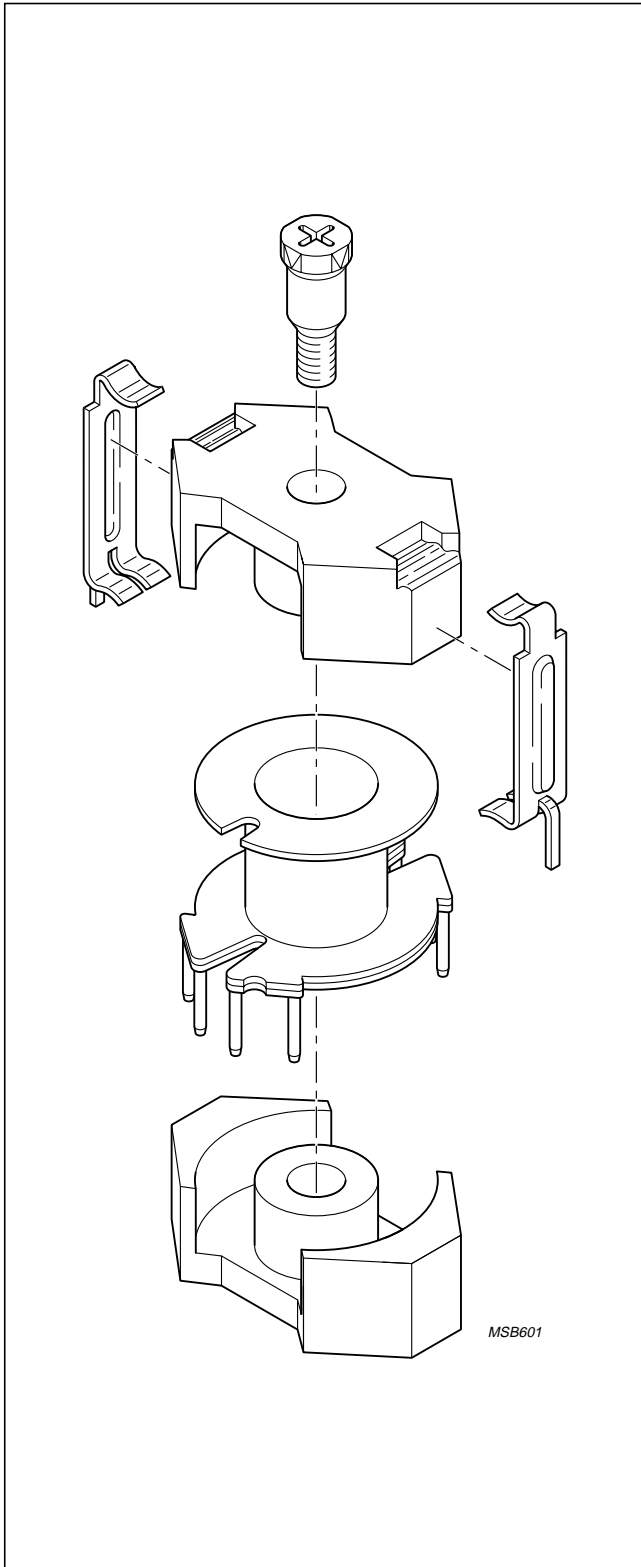
**RM, RM/I, RM/ILP cores and
accessories**
Soft Ferrites

File under Magnetic Products, MA01

1997 Nov 21

Soft Ferrites

RM, RM/I, RM/ILP
cores and accessories



For more information on Product Status Definitions, see page 3.

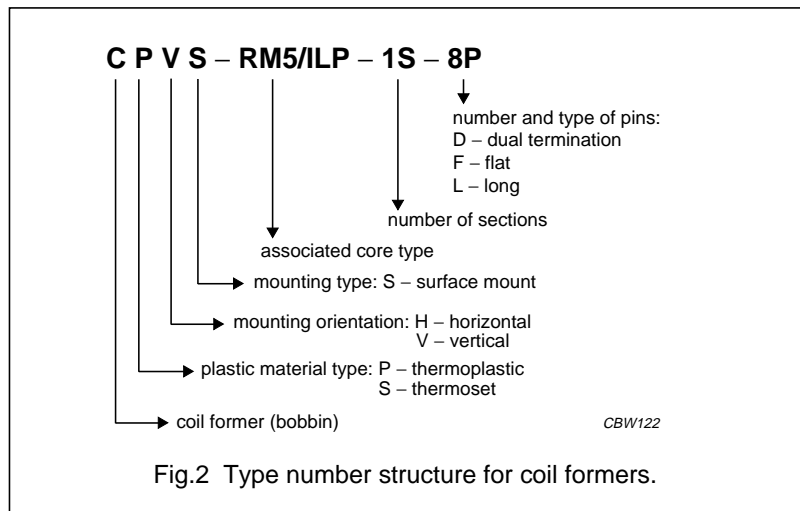
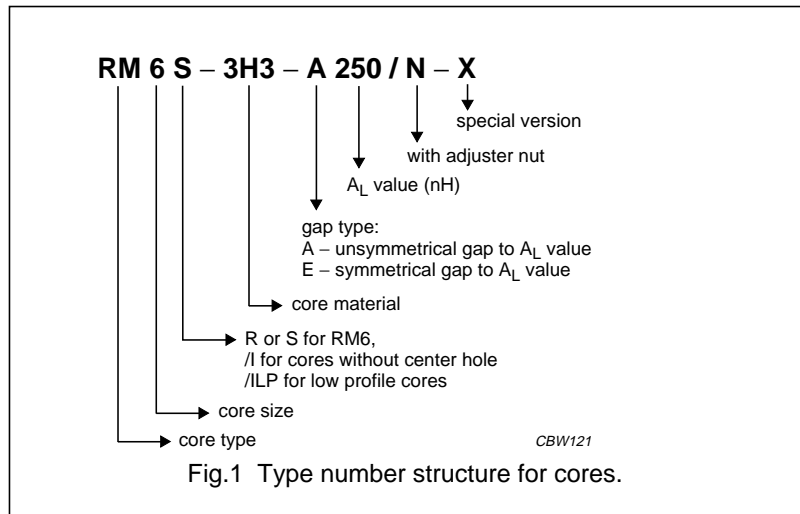
Soft Ferrites

RM, RM/I, RM/ILP
cores and accessories

PRODUCT OVERVIEW AND
TYPE NUMBER STRUCTURE

Product overview RM cores

CORE TYPE	V_e (mm ³)	A_e (mm ²)	MASS (g)
RM4	230	11.0	2.5
RM4/I	322	13.8	2.8
RM4/ILP	251	14.5	1.5
RM5	450	21.2	3.0
RM5/I	574	24.8	3.3
RM5/ILP	430	24.5	2.2
RM6S	840	31.4	4.5
RM6S/I	1090	37.0	4.9
RM6S/ILP	820	37.5	4.2
RM6R	810	32.0	4.5
RM7/I	1325	44.1	7.7
RM7/ILP	1060	45.3	6.0
RM8	1850	52.0	10.9
RM8/I	2440	63.0	12.0
RM8/ILP	1860	64.9	10.0
RM10	3470	83.2	20
RM10/I	4310	96.6	22
RM10/ILP	3360	99.1	17
RM12/I	8340	146	45
RM12/ILP	6195	148	34
RM14/I	13900	198	74
RM14/ILP	10230	201	55



Philips Components – a worldwide company

Australia: Philips Components Pty Ltd., NORTH RYDE,
Tel. (02) 9805 4455, Fax. (02) 9805 4466.

Austria: Österreichische Philips Industrie GmbH, WIEN,
Tel. (01) 601 01 12 41, Fax. (01) 60 101 12 11.

Belarus: Philips Office Belarus, MINSK,
Tel. (5172) 200 924/733, Fax. (5172) 200 773.

Benelux: Philips Nederland B.V., EINDHOVEN, NL,
Tel. (+31 40) 2783 749, Fax. (+31 40) 2788 399.

Brazil: Philips Components, SÃO PAULO,
Tel. (011) 821 2333, Fax. (011) 829 1849.

Canada: Philips Electronics Ltd., SCARBOROUGH,
Tel. (0416) 292 5161, Fax. (0416) 754 6248.

China: Philips Company, SHANGHAI,
Tel. (021) 6354 1088, Fax. (021) 6354 1060.

Denmark: Philips Components A/S, COPENHAGEN S,
Tel. (32) 883 333, Fax. (31) 571 949.

Finland: Philips Components, ESPOO,
Tel. (0) 9 615 800, Fax. (0) 9 615 80510.

France: Philips Composants, SURESNES,
Tel. (01) 4099 6161, Fax. (01) 4099 6493.

Germany: Philips Components GmbH, HAMBURG,
Tel. (040) 2489-0, Fax. (040) 2489 1400.

Greece: Philips Hellas S.A., TAVROS,
Tel. (01) 4894 339/(01) 4894 239, Fax. (01) 4814 240.

Hong Kong: Philips Hong Kong, KOWLOON,
Tel. 2784 3000, Fax. 2784 3003.

India: Philips India Ltd., MUMBAI,
Tel. (022) 4930 311, Fax. (022) 4930 966/4950 304.

Indonesia: P.T. Philips Development Corp., JAKARTA,
Tel. (021) 794 0040, Fax. (021) 794 0080.

Ireland: Philips Electronics (Ireland) Ltd., DUBLIN,
Tel. (01) 76 40 203, Fax. (01) 76 40 210.

Israel: Rapac Electronics Ltd., TEL AVIV,
Tel. (03) 6450 444, Fax. (03) 6491 007.

Italy: Philips Components S.r.l., MILANO,
Tel. (02) 6752 2531, Fax. (02) 6752 2557.

Japan: Philips Japan Ltd., TOKYO,
Tel. (0) 3 3740 5135, Fax. (0) 3 3740 5035.

Korea (Republic of): Philips Electronics (Korea) Ltd., SEOUL,
Tel. (02) 709 -1472, Fax. (02) 709 1480.

Malaysia: Philips Malaysia SDN Berhad
Components Division, PULAU PINANG,
Tel. (03) 750 5213, Fax. (03) 757 4880.

Mexico: Philips Components, EL PASO, U.S.A.,
Tel. (915) 772 4020, Fax. (915) 772 4332.

New Zealand: Philips New Zealand Ltd., AUCKLAND,
Tel. (09) 815 4000, Fax. (09) 849 7811.

Norway: Norsk A/S Philips, OSLO,
Tel. (22) 74 8000, Fax. (22) 74 8341.

Pakistan: Philips Electrical Industries of Pakistan Ltd., KARACHI,
Tel. (021) 587 4641-49, Fax. (021) 577 035/587 4546.

Philippines: Philips Semiconductors Philippines Inc.,
METRO MANILA, Tel. (02) 816 6345, Fax. (02) 817 3474.

Poland: Philips Poland Sp. z.o.o., WARSZAWA,
Tel. (022) 612 2594, Fax. (022) 612 2327.

Portugal: Philips Portuguesa S.A.,
Philips Components: LINDA-A-VELHA,
Tel. (01) 416 3160/416 3333, Fax. (01) 416 3174/416 3366.

Russia: Philips Russia, MOSCOW,
Tel. (095) 755 6918, Fax. (095) 755 6919.

Singapore: Philips Singapore Pte Ltd., SINGAPORE,
Tel. 350 2000, Fax. 355 1758.

South Africa: S.A. Philips Pty Ltd., JOHANNESBURG,
Tel. (011) 470 5911, Fax. (011) 470 5494.

Spain: Philips Components, BARCELONA,
Tel. (93) 301 63 12, Fax. (93) 301 42 43.

Sweden: Philips Components AB, STOCKHOLM,
Tel. (+46) 8 632 2000, Fax. (+46) 8 632 2745.

Switzerland: Philips Components AG, ZÜRICH,
Tel. (01) 488 22 11, Fax. (01) 481 77 30.

Taiwan: Philips Taiwan Ltd., TAIPEI,
Tel. (02) 2134 2900, Fax. (02) 2134 2929.

Thailand: Philips Electronics (Thailand) Ltd., BANGKOK,
Tel. (02) 745 4090, Fax. (02) 398 0793.

Turkey: Türk Philips Ticaret A.S., GÜLTEPE/ISTANBUL,
Tel. (0212) 279 2770, Fax. (0212) 282 6707.

United Kingdom: Philips Components Ltd., DORKING,
Tel. (01306) 512 000, Fax. (01306) 512 345.

United States:

- Display and Wire Wound Components, ANN ARBOR, MI,
Tel. (313) 996 9400, Fax. (313) 761 2776.
- Magnetic Products, SAUGERTIES, NY,
Tel. (914) 246 2811, Fax. (914) 246 0487.
- Passive Components, SAN JOSE, CA,
Tel. (408) 570 5600, Fax. (408) 570 5700.

Yugoslavia (Federal Republic of): Philips Components, BELGRADE,
Tel. (0) 11 625 344/373, Fax. (0) 11 635 777.

For all other countries apply to: Philips Components,
Marketing Communications, P.O. Box 218, 5600 MD EINDHOVEN,
The Netherlands, Fax. +31-40-2724 547.

COD16

© Philips Electronics N.V. 1997

All rights are reserved. Reproduction in whole or in part is prohibited without the prior written consent of the copyright owner.
The information presented in this document does not form part of any quotation or contract, is believed to be accurate and reliable and may be changed without notice.
No liability will be accepted by the publisher for any consequence of its use. Publication thereof does not convey nor imply any license under patent- or other industrial or intellectual property rights.

Printed in The Netherlands

**Philips
Components**



PHILIPS

Let's make things better.