

## Implementing Wake-up on Key Stroke

Author: Stan D'Souza  
Microchip Technology Inc.

### INTRODUCTION

Microchip's PIC16CXXX microcontroller family are ideally suited to directly interface to a keypad. The high 4-bits of PORTB (RB7:RB4) have internal pull-ups and can trigger a "change on state" interrupt. This interrupt, if enabled, will wake the microcontroller from SLEEP. In most battery powered applications, a microcontroller is exercised when a key is pressed (e.g., in a remote keyless entry system). The life of the battery can be extended by using PIC16CXXX microcontrollers. This is done by putting the PIC16CXXX microcontroller into SLEEP mode for most of the time and wake-up only when a key is pressed.

### IMPLEMENTATION

Figure 1 depicts an application where four keys are connected to RB7:RB4. Internal pull-ups are used to maintain a high level on these inputs. In this example, LEDs are connected to RB3:RB0. When SW1 is pressed, LED1 is turned on and when SW2 is pressed, LED2 is turned on and so on. The PIC16CXXX is normally in SLEEP mode with the "change on state" interrupt enabled. When SW1 is pressed, RB4 goes low and triggers an interrupt. Since the PIC16CXXX is in SLEEP, it first wakes up and starts executing code at the interrupt vector. Note that if the global interrupt is enabled, the program execution after an interrupt is at the interrupt vector, if the global interrupt is not enabled, the program starts executing the first line of code right after the SLEEP instruction.

After waking up, a 20 - 40 ms de-bounce delay is executed which checks the port for a key hit and, depending on which key is hit, its associated LED is turned on. The LEDs are used purely for demonstration purposes. In a remote keyless entry application, the remote code would be transmitted when the appropriate key is hit.

Figure 2 depicts a 4x4 keypad interface to a PIC16CXXX microcontroller. When using the PIC16CXXX in a keypad application, the internal pull-ups on RB7:RB4 can be enabled, eliminating the need for external pull-up resistors. The series 100Ω resistors are used for Electrostatic Discharge (ESD) protection, and are recommended in keypad interface applications.

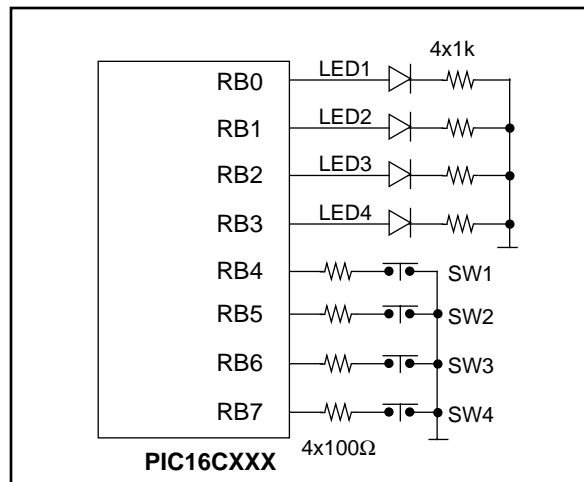
### SUMMARY

The PIC16CXXX is ideally suited to interface directly to a keypad application. Built in pull-up resistors and very low current consumption during sleep make it a very good candidate for battery powered remote operations and applications. Appendix A provides an example of the code.

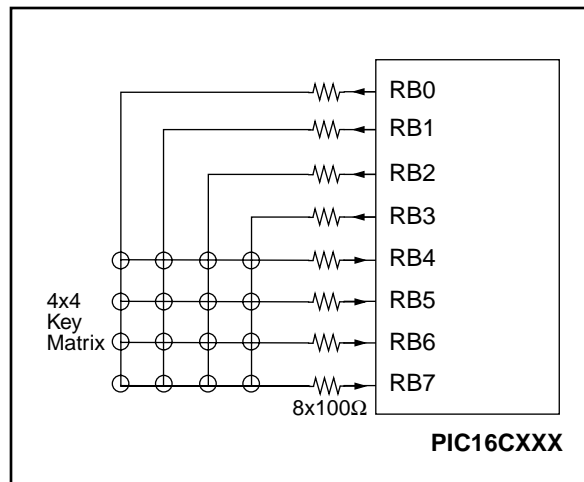
Performance:

Code Size - 64 words  
RAM Used - 0 bytes

**FIGURE 1: 4 KEY INTERFACE TO PIC16CXXX**



**FIGURE 2: 4x4 KEYPAD INTERFACE TO PIC16CXXX**



# AN552

Please check the Microchip BBS for the latest version of the source code. Microchip's Worldwide Web Address: [www.microchip.com](http://www.microchip.com); Bulletin Board Support: MCHIPBBS using CompuServe® (CompuServe membership not required).

## APPENDIX A : WAKUP.ASM

MPASM 01.40 Released

WAKUP.ASM 1-16-1997 16:04:19

PAGE 1

```
LOC OBJECT CODE      LINE SOURCE TEXT
VALUE

00001 ;This program demonstrates the wake-up on Keystroke feature of
00002 ;the PIC16C71. Port B pins RB4 - RB7 can be configured as inputs with
00003 ;internal pull up resistors, also the interrupt associated with the
00004 ;change on input on RB4 - RB7 can be set up to wake the chip from
00005 ;sleep. If the global interrupt is enabled just before sleep, the
00006 ;program will vector to the interrupt vector (0004). If not, the chip
00007 ;will continue execution just after the next instruction following
00008 ;sleep. In this example code, port B is initialized to input 4
00009 ;push-buttons at RB4 - RB7. RB0 - RB3 are configured to drive LEDs
00010 ;corresponding to which pushbutton is hit (LED on RB0 when RB4 is
00011 ;hit and so on). Sleep is executed. When any key is hit, the
00012 ;processor wakes up and jumps to the interrupt vector. The
00013 ;corresponding LED is turned on and after the key is released, the
00014 ;whole process is repeated.
00015 ;
00016 ;      Program:          WAKEUP.ASM
00017 ;      Revision Date:
00018 ;                      1-16-97      Compatibility with MPASMWIN 1.40
00019 ;
00020 ;*****
00021 ;
00022      LIST P=16C71
00023 ;
00000002      00024 z          equ      2
00000007      00025 RBPU      equ      7
00000010      00026 temp      equ      10h
00000001      00027 OptionReg equ      1h
00000001      00028 F          EQU      1
00029 ;
00030      include "p16c71.inc"
00001      LIST
00002 ;P16C71.INC Standard Header File, Version 1.00 Microchip Technology
00142      LIST
00031 ;
0000      00032      org      0
0000 2805      00033      goto   start
00034 ;
0004      00035      org      4
0004 2808      00036      goto   ServiceInterrupt
00037 ;
00038 ;
0005      00039 start
0005 2024      00040      call   InitPortB      ;initialize port B
0006      00041 loop
00042      00042      sleep          ;sleep till key is hit
0006 0000      00043      nop
0007 2806      00044      goto   loop
00045 ;
0008      00046 ServiceInterrupt
0008 180B      00047      btfs   INTCON,RBIF      ;change on rb int?
0009 280D      00048      goto   ServiceWakup    ;yes then service
000A 128B      00049      bcf   INTCON,T0IE      ;clear TMR0 int mask
000B 110B      00050      bcf   INTCON,T0IF      ;clear flag
000C 0008      00051      return
```

```

00052 ;
00053 ;This routine checks which key is hit and lights up the
00054 ;corresponding LED associated with it. eg. RB0's LED when
00055 ;RB4's key is pressed. Finally it waits till all keys have
00056 ;been released before returning form the service routine.
000D      00057 ServiceWakup
000D 118B      00058         bcf     INTCON,RBIE      ;clear mask
000E 0906      00059         comf    PORTB,W          ;read PORTB
000F 100B      00060         bcf     INTCON,RBIF      ;clear flag
0010 2035      00061         call   delay16        ;do de-bounce for 16mSecs
0011 0906      00062         comf    PORTB,W          ;read port B again
0012 39F0      00063         andlw  B'11110000'     ;mask outputs
0013 0090      00064         movwf  temp           ;save in temp
0014 0E10      00065         swapf  temp,W         ;switch low and high
0015 0086      00066         movwf  PORTB         ;send as outputs.
0016 2018      00067         call   KeyRelease     ;check for key release
0017 0009      00068         retfie
00069 ;
00070 ;This sub-routine, waits till all key have been released
00071 ;In order to save power, the chip is in sleep mode till
00072 ;all keys are released.
0018      00073 KeyRelease
0018 2035      00074         call   delay16        ;do debounce
0019 0906      00075         comf    PORTB,W          ;read PORTB
001A 100B      00076         bcf     INTCON,RBIF      ;clear flag
001B 158B      00077         bsf     INTCON,RBIE      ;enable mask
001C 39F0      00078         andlw  B'11110000'     ;clear outputs
001D 1903      00079         btfsc  STATUS,z       ;key still pressed?
001E 0008      00080         return                ;no then return
001F 0063      00081         sleep                ;else save power
0020 118B      00082         bcf     INTCON,RBIE      ;on wake up clear mask
0021 0906      00083         comf    PORTB,W          ;read PORTB
0022 100B      00084         bcf     INTCON,RBIF      ;clear flag
0023 2818      00085         goto   KeyRelease     ;try again
00086 ;
00087 ;
00088 ;This sub-routine, initializes PortB.
0024      00089 InitPortB
0024 1683      00090         bsf     STATUS,RP0      ;select bank1
0025 3003      00091         movlw  B'00000011'     ;Port_A digital I/O
Message[302]: Register in operand not in bank 0. Ensure that bank bits are correct.
0026 0088      00092         movwf  ADCON1          ;
0027 3000      00093         movlw  0               ;
0028 0085      00094         movwf  PORTA           ;set port a as outputs
0029 30F0      00095         movlw  B'11110000'     ;RB0-RB3 outputs
002A 0086      00096         movwf  PORTB           ;RB4-RB7 inputs
002B 1381      00097         bcf     OptionReg,RBPU ;enable pull up
002C 1283      00098         bcf     STATUS,RP0      ;select page 0
002D 0186      00099         clrf   PORTB           ;init port B
002E 0185      00100         clrf   PORTA           ;make port a all low
002F 1405      00101         bsf     PORTA,0         ;make first bit high
0030 118B      00102         bcf     INTCON,RBIE      ;disable mask
0031 0806      00103         movf   PORTB,W         ;read port
0032 100B      00104         bcf     INTCON,RBIF      ;clear flag
0033 158B      00105         bsf     INTCON,RBIE      ;enable mask
0034 0009      00106         retfie                ;enable global and return
00107 ;
00108 ;delay16 waits for approx 16.4mSecs using TMR0 interrupts
00109 ;fosc speed is 4Mhz.
0035      00110 delay16
0035 1683      00111         bsf     STATUS,RP0      ;select Bank1
0036 3007      00112         movlw  B'00000111'     ;fosc/256 --> TMR0
0037 0081      00113         movwf  OptionReg       ;
0038 1283      00114         bcf     STATUS,RP0      ;select Bank0
0039 0181      00115         clrf   TMR0            ;
003A 110B      00116         bcf     INTCON,T0IF      ;clear flag

```

# AN552

---

```
003B 168B      00117      bsf      INTCON,T0IE      ;enable mask
003C           00118      CheckAgain
003C 1D0B      00119      btfss   INTCON,T0IF      ;timer overflowed?
003D 283C      00120      goto    CheckAgain      ;no check again
003E 128B      00121      bcf      INTCON,T0IE      ;else clear mask
003F 110B      00122      bcf      INTCON,T0IF      ;clear flag
0040 0008      00123      return
                00124 ;
                00125      end
```

MEMORY USAGE MAP ('X' = Used, '-' = Unused)

```
0000 : X---XXXXXXXXXXXX XXXXXXXXXXXXXXXXXXXX XXXXXXXXXXXXXXXXXXXX XXXXXXXXXXXXXXXXXXXX
0040 : X-----
```

All other memory blocks unused.

```
Program Memory Words Used:    62
Program Memory Words Free:   962
```

```
Errors      :    0
Warnings    :    0 reported,    0 suppressed
Messages    :    1 reported,    0 suppressed
```

---

---

**Note the following details of the code protection feature on PICmicro® MCUs.**

- The PICmicro family meets the specifications contained in the Microchip Data Sheet.
- Microchip believes that its family of PICmicro microcontrollers is one of the most secure products of its kind on the market today, when used in the intended manner and under normal conditions.
- There are dishonest and possibly illegal methods used to breach the code protection feature. All of these methods, to our knowledge, require using the PICmicro microcontroller in a manner outside the operating specifications contained in the data sheet. The person doing so may be engaged in theft of intellectual property.
- Microchip is willing to work with the customer who is concerned about the integrity of their code.
- Neither Microchip nor any other semiconductor manufacturer can guarantee the security of their code. Code protection does not mean that we are guaranteeing the product as “unbreakable”.
- Code protection is constantly evolving. We at Microchip are committed to continuously improving the code protection features of our product.

If you have any further questions about this matter, please contact the local sales office nearest to you.

---

Information contained in this publication regarding device applications and the like is intended through suggestion only and may be superseded by updates. It is your responsibility to ensure that your application meets with your specifications. No representation or warranty is given and no liability is assumed by Microchip Technology Incorporated with respect to the accuracy or use of such information, or infringement of patents or other intellectual property rights arising from such use or otherwise. Use of Microchip's products as critical components in life support systems is not authorized except with express written approval by Microchip. No licenses are conveyed, implicitly or otherwise, under any intellectual property rights.

#### **Trademarks**


The Microchip name and logo, the Microchip logo, FilterLab, KEELOQ, microID, MPLAB, PIC, PICmicro, PICMASTER, PICSTART, PRO MATE, SEEVAL and The Embedded Control Solutions Company are registered trademarks of Microchip Technology Incorporated in the U.S.A. and other countries.

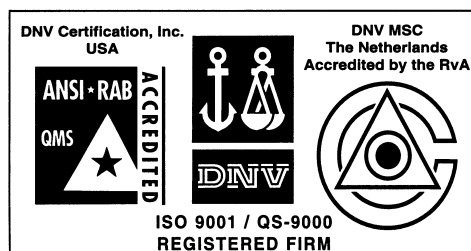
dsPIC, ECONOMONITOR, FanSense, FlexROM, fuzzyLAB, In-Circuit Serial Programming, ICSP, ICEPIC, microPort, Migratable Memory, MPASM, MPLIB, MPLINK, MPSIM, MXDEV, PICC, PICDEM, PICDEM.net, rPIC, Select Mode and Total Endurance are trademarks of Microchip Technology Incorporated in the U.S.A.

Serialized Quick Turn Programming (SQTP) is a service mark of Microchip Technology Incorporated in the U.S.A.

All other trademarks mentioned herein are property of their respective companies.

© 2002, Microchip Technology Incorporated, Printed in the U.S.A., All Rights Reserved.

 Printed on recycled paper.



*Microchip received QS-9000 quality system certification for its worldwide headquarters, design and wafer fabrication facilities in Chandler and Tempe, Arizona in July 1999. The Company's quality system processes and procedures are QS-9000 compliant for its PICmicro® 8-bit MCUs, KEELOQ® code hopping devices, Serial EEPROMs and microperipheral products. In addition, Microchip's quality system for the design and manufacture of development systems is ISO 9001 certified.*



# MICROCHIP

## WORLDWIDE SALES AND SERVICE

### AMERICAS

#### Corporate Office

2355 West Chandler Blvd.  
Chandler, AZ 85224-6199  
Tel: 480-792-7200 Fax: 480-792-7277  
Technical Support: 480-792-7627  
Web Address: <http://www.microchip.com>

#### Rocky Mountain

2355 West Chandler Blvd.  
Chandler, AZ 85224-6199  
Tel: 480-792-7966 Fax: 480-792-7456

#### Atlanta

500 Sugar Mill Road, Suite 200B  
Atlanta, GA 30350  
Tel: 770-640-0034 Fax: 770-640-0307

#### Boston

2 Lan Drive, Suite 120  
Westford, MA 01886  
Tel: 978-692-3848 Fax: 978-692-3821

#### Chicago

333 Pierce Road, Suite 180  
Itasca, IL 60143  
Tel: 630-285-0071 Fax: 630-285-0075

#### Dallas

4570 Westgrove Drive, Suite 160  
Addison, TX 75001  
Tel: 972-818-7423 Fax: 972-818-2924

#### Detroit

Tri-Atria Office Building  
32255 Northwestern Highway, Suite 190  
Farmington Hills, MI 48334  
Tel: 248-538-2250 Fax: 248-538-2260

#### Kokomo

2767 S. Albright Road  
Kokomo, Indiana 46902  
Tel: 765-864-8360 Fax: 765-864-8387

#### Los Angeles

18201 Von Karman, Suite 1090  
Irvine, CA 92612  
Tel: 949-263-1888 Fax: 949-263-1338

#### New York

150 Motor Parkway, Suite 202  
Hauppauge, NY 11788  
Tel: 631-273-5305 Fax: 631-273-5335

#### San Jose

Microchip Technology Inc.  
2107 North First Street, Suite 590  
San Jose, CA 95131  
Tel: 408-436-7950 Fax: 408-436-7955

#### Toronto

6285 Northam Drive, Suite 108  
Mississauga, Ontario L4V 1X5, Canada  
Tel: 905-673-0699 Fax: 905-673-6509

### ASIA/PACIFIC

#### Australia

Microchip Technology Australia Pty Ltd  
Suite 22, 41 Rawson Street  
Epping 2121, NSW  
Australia  
Tel: 61-2-9868-6733 Fax: 61-2-9868-6755

#### China - Beijing

Microchip Technology Consulting (Shanghai)  
Co., Ltd., Beijing Liaison Office  
Unit 915  
Bei Hai Wan Tai Bldg.  
No. 6 Chaoyangmen Beidajie  
Beijing, 100027, No. China  
Tel: 86-10-85282100 Fax: 86-10-85282104

#### China - Chengdu

Microchip Technology Consulting (Shanghai)  
Co., Ltd., Chengdu Liaison Office  
Rm. 2401, 24th Floor,  
Ming Xing Financial Tower  
No. 88 TIDU Street  
Chengdu 610016, China  
Tel: 86-28-6766200 Fax: 86-28-6766599

#### China - Fuzhou

Microchip Technology Consulting (Shanghai)  
Co., Ltd., Fuzhou Liaison Office  
Unit 28F, World Trade Plaza  
No. 71 Wusi Road  
Fuzhou 350001, China  
Tel: 86-591-7503506 Fax: 86-591-7503521

#### China - Shanghai

Microchip Technology Consulting (Shanghai)  
Co., Ltd.  
Room 701, Bldg. B  
Far East International Plaza  
No. 317 Xian Xia Road  
Shanghai, 200051  
Tel: 86-21-6275-5700 Fax: 86-21-6275-5060

#### China - Shenzhen

Microchip Technology Consulting (Shanghai)  
Co., Ltd., Shenzhen Liaison Office  
Rm. 1315, 13/F, Shenzhen Kerry Centre,  
Renminnan Lu  
Shenzhen 518001, China  
Tel: 86-755-2350361 Fax: 86-755-2366086

#### Hong Kong

Microchip Technology Hongkong Ltd.  
Unit 901-6, Tower 2, Metroplaza  
223 Hing Fong Road  
Kwai Fong, N.T., Hong Kong  
Tel: 852-2401-1200 Fax: 852-2401-3431

#### India

Microchip Technology Inc.  
India Liaison Office  
Divyasree Chambers  
1 Floor, Wing A (A3/A4)  
No. 11, O'Shaugnessey Road  
Bangalore, 560 025, India  
Tel: 91-80-2290061 Fax: 91-80-2290062

### Japan

Microchip Technology Japan K.K.  
Benex S-1 6F  
3-18-20, Shinyokohama  
Kohoku-Ku, Yokohama-shi  
Kanagawa, 222-0033, Japan  
Tel: 81-45-471- 6166 Fax: 81-45-471-6122

### Korea

Microchip Technology Korea  
168-1, Youngbo Bldg. 3 Floor  
Samsung-Dong, Kangnam-Ku  
Seoul, Korea 135-882  
Tel: 82-2-554-7200 Fax: 82-2-558-5934

### Singapore

Microchip Technology Singapore Pte Ltd.  
200 Middle Road  
#07-02 Prime Centre  
Singapore, 188980  
Tel: 65-334-8870 Fax: 65-334-8850

### Taiwan

Microchip Technology Taiwan  
11F-3, No. 207  
Tung Hua North Road  
Taipei, 105, Taiwan  
Tel: 886-2-2717-7175 Fax: 886-2-2545-0139

### EUROPE

#### Denmark

Microchip Technology Nordic ApS  
Regus Business Centre  
Lautrup høj 1-3  
Ballerup DK-2750 Denmark  
Tel: 45 4420 9895 Fax: 45 4420 9910

#### France

Microchip Technology SARL  
Parc d'Activite du Moulin de Massy  
43 Rue du Saule Trapu  
Batiment A - 1er Etage  
91300 Massy, France  
Tel: 33-1-69-53-63-20 Fax: 33-1-69-30-90-79

#### Germany

Microchip Technology GmbH  
Gustav-Heinemann Ring 125  
D-81739 Munich, Germany  
Tel: 49-89-627-144 0 Fax: 49-89-627-144-44

#### Italy

Microchip Technology SRL  
Centro Direzionale Colleoni  
Palazzo Taurus 1 V. Le Colleoni 1  
20041 Agrate Brianza  
Milan, Italy  
Tel: 39-039-65791-1 Fax: 39-039-6899883

#### United Kingdom

Arizona Microchip Technology Ltd.  
505 Eskdale Road  
Winnersh Triangle  
Wokingham  
Berkshire, England RG41 5TU  
Tel: 44 118 921 5869 Fax: 44-118 921-5820

01/18/02