




INDUCTORS DESIGNED FOR NATIONAL'S 260 kHz SIMPLE SWITCHER™



-  Tested and recommended by National Semiconductor for the LM267X series
-  Base material meets flammability requirements of UL 94V-0
-  Available in surface mount and through hole versions

Electrical Specifications @ 25°C— Operating Temperature -40° to +130° C

Pulse THT Part Number	Pulse SMT Part Number	National Part Number	In Circuit Operating Parameters ¹			Nominal DCR (Ω)	Package	
			Nominal Inductance (μH)	Rated Current (A _{DC})	Max ² E _{TOP} (V-μSec)		Through Hole	Surface Mount
P0841	—	LM267X-L41	22.8	4.9	23.3	.036	KM-30	—
P0845	—	LM267X-L45	10.2	4.3	10.0	.026	KM-1.1	—
P0846	—	LM267X-L46	14.8	5.0	17.0	.023	KM-2.1	—
P0847	—	LM267X-L47	10	5.0	13.0	.025	KM-20	—
P0848	—	LM267X-L48	50	5.0	40.0	.050	KM-40	—
P0849	—	LM267X-L49	33	5.0	36.0	.047	KM-40	—
P0850	—	LM267X-L50	23	5.0	24.0	.026	KM-30	—
—	P0841S	LM267X-L41	22.8	4.9	23.3	.036	—	HCI-68
—	P0845S	LM267X-L45	10	4.3	10.0	.050	—	LCI-44
—	P0846S	LM267X-L46	15	5.0	17.0	.027	—	LCI-50
—	P0847S	LM267X-L47	11	5.0	13.0	.025	—	LCI-50
—	P0848S	LM267X-L48	52	5.0	40.0	.025	—	Bigfoot
—	P0849S	LM267X-L49	36	5.0	36.0	.019	—	Bigfoot
—	P0850S	LM267X-L50	24.7	5.0	24.0	.013	—	Bigfoot

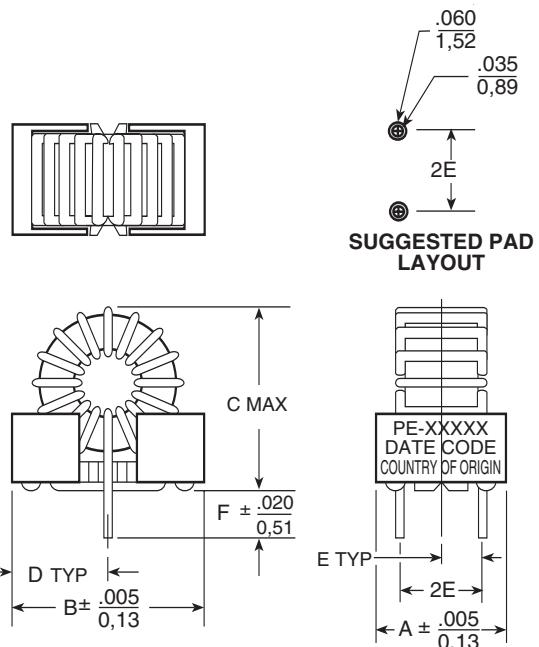
Notes : 1. Inductance values may vary ±20%.
2. E_{TOP} rated at 260 kHz.

3. SIMPLE SWITCHER™ is a trademark of National Semiconductor Corporation.

KlipMount Series

PKG	A	B	C	D	E	F
KM-1.1	.350	.580	.715	.290	.110	.130
	8,89	14,74	18,17	7,37	2,80	3,31
KM-2.0	.450	.650	.700	.325	.150	.130
	11,43	21,08	17,78	8,26	3,81	3,31
KM-2.1	.460	.670	.750	.335	.150	.130
	11,69	17,02	19,05	8,51	3,81	3,31
KM-3.0	.450	.830	.950	.415	.150	.130
	11,43	21,09	24,13	10,55	3,81	3,31
KM-4.0	.600	.950	1.350	.475	.225	.130
	15,24	24,13	34,29	12,07	5,72	3,31

Dimensions: $\frac{\text{Inches}}{\text{mm}}$
Unless otherwise specified, all tolerances are ± $\frac{.010}{0,25}$

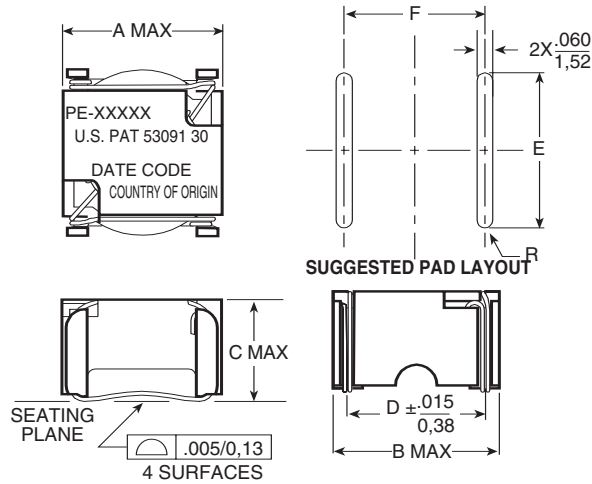


INDUCTORS DESIGNED FOR NATIONAL'S 260 kHz SIMPLE SWITCHER™



Mechanicals

LCI Series



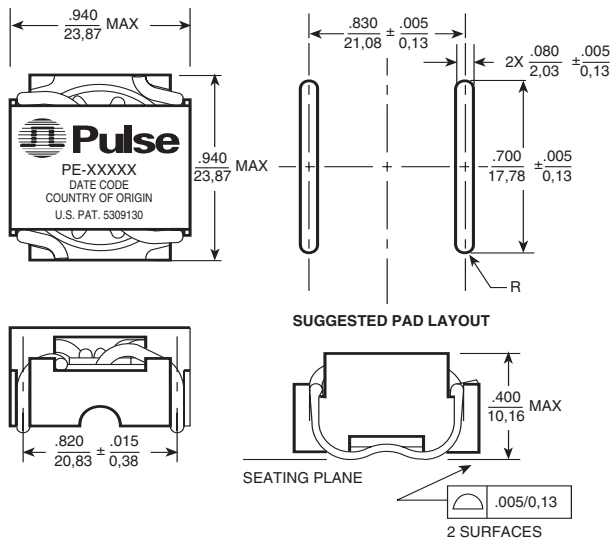
PKG	A	B	C	D	E	F
LCI-44	.600 15,24	.620 15,75	.390 9,91	.500 12,70	.550 13,97	.510 12,95
LCI-50	.670 17,02	.700 17,78	.390 9,91	.580 14,74	.620 15,75	.590 14,99

Note:
Coil must clear seating plane by $\frac{.010}{0,25}$ MIN

Dimensions: $\frac{\text{Inches}}{\text{mm}}$
Unless otherwise specified, all tolerances are $\pm \frac{.010}{0,25}$

- Notes:**
1. Dimension "D" is measured across terminal blocks only.
 2. Coil must clear seating plane by $\frac{.010}{0,25}$ MIN.

HCI-68



Bigfoot

