

Transformers for ON Semiconductor NCP1200

These transformers have been specially developed for use with the ON Semiconductor NCP1200 PWM Current-Mode Controller.

Coilcraft can also custom engineer a transformer to meet your specific requirements. For free evaluation samples, contact Coilcraft or visit our web site at www.coilcraft.com.

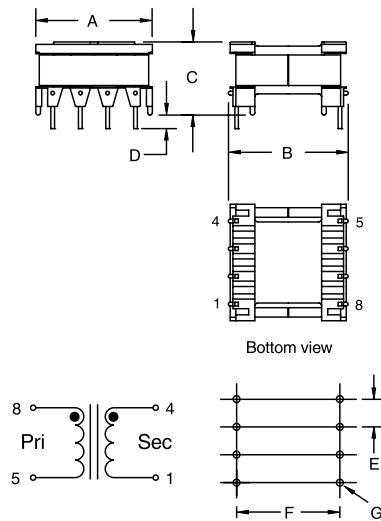
Application	Part number	Inductance ¹ (mH) ± 10%	DCR (Ohms) max	Leakage inductance ² (µH) max	Turns ratio Pri:Sec	Turns ratio Pri:Aux
3.5 W	Y8844-A	2.9	4.25 (8-5) .07 (4-1)	80	1:0.08	N/A
10 W	Y8848-A	1.8	1.77 (10-6) .038 (5-1)	60	1:0.1	N/A
70 W	Z9007-B	.7	.261 (12-7) .013 (6-1, 4-3)	16	1:0.16	N/A
70 W	Z9260-A	.7	.045 (11-8)	26	1:0.16	1:0.15

with Auxiliary winding

1 Inductance tested at 10 kHz, 0.1 Vrms, 0 Adc

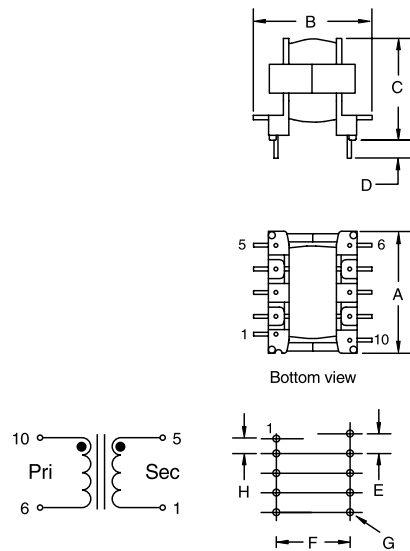
2 Leakage inductance tested at 100 kHz, 0.1 Vrms

Y8844-A



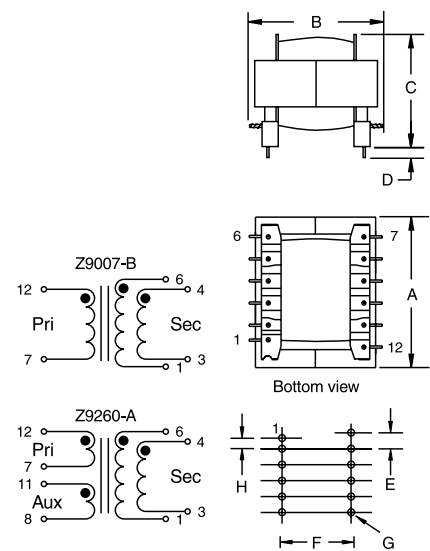
A	B	C	D	E	F	G
max	max	max	min			dia
.72	.79	.55	.125	.150	.600	.030
18,3	20,1	14,0	3,18	3,81	15,24	0,76

Y8848-A



A	B	C	D	E	F	G	H
max	max	max	max			dia	
1.10	1.10	.95	.18	.200	.620	.044	.150
27,9	27,9	24,1	4,6	5,08	15,75	1,12	3,81

Z9007-B, Z9260-A



A	B	C	D	E	F	G	H
max	max	max	max			dia	
1.45	1.45	1.17	.18	.200	.875	.044	.150
36,8	36,8	29,7	4,6	5,08	22,2	1,12	.381



Specifications subject to change without notice. Document 245 Revised 7/19/01

1102 Silver Lake Road Cary, Illinois 60013 Phone 847/639-6400 Fax 847/639-1469
E-mail info@coilcraft.com Web <http://www.coilcraft.com>