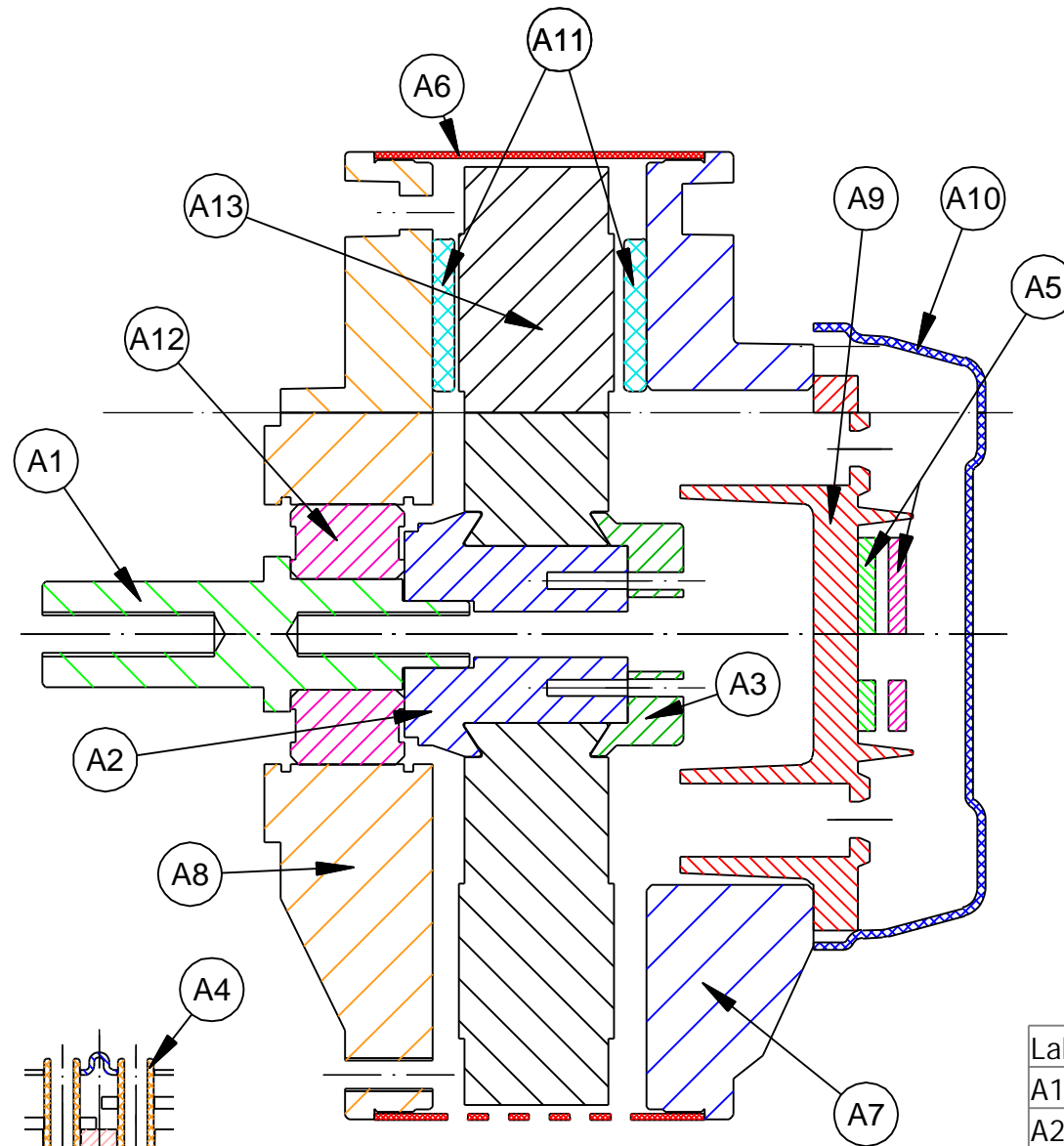
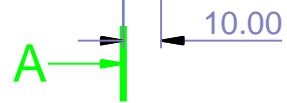
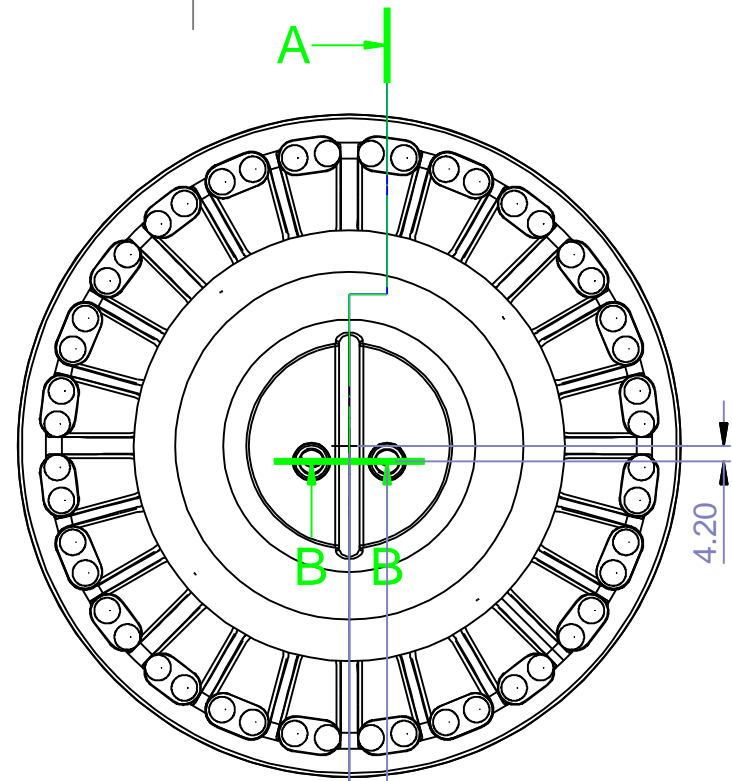
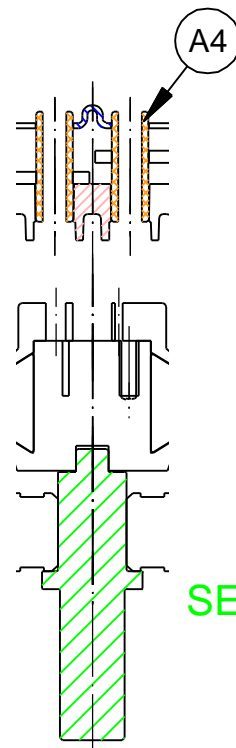


Used on:

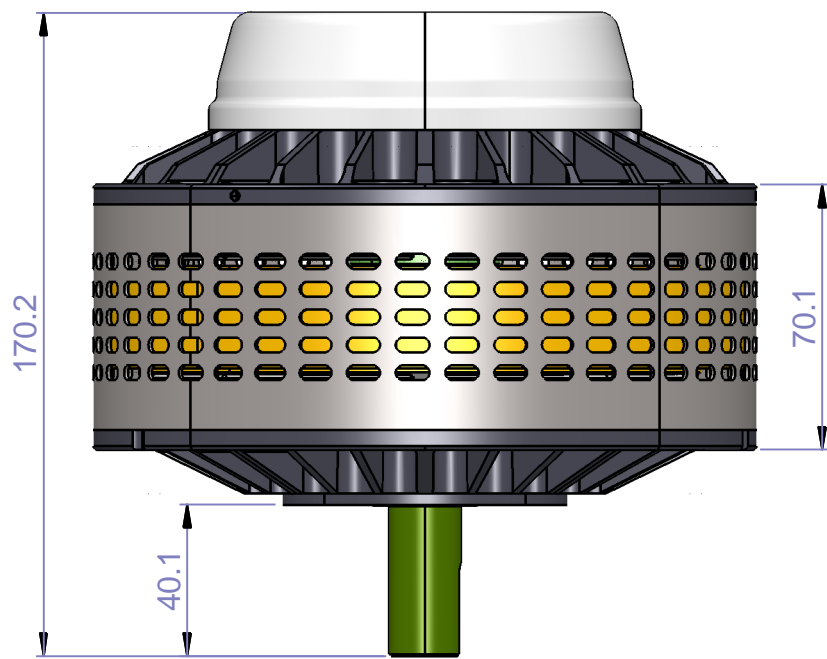
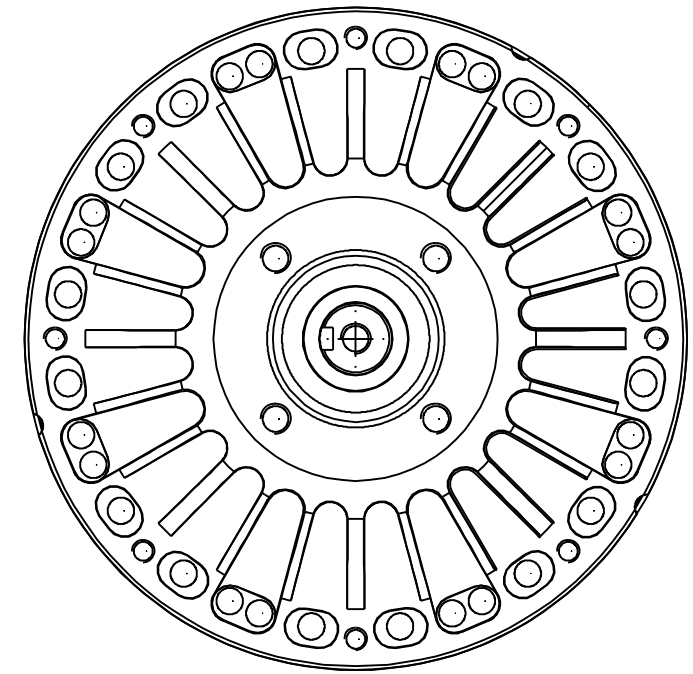
A3



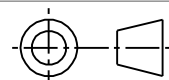
SECTION A-A
Scale 0.75



SECTION B-B



Label	Qty	Part No	Description
A1	1	LEM 00010 P	Shaft
A2	1	LEM 00008 P	Hub
A3	1	LEM 00009 P	Cap
A4	2	LEM 00012 P	Terminal post
A5	2	LEM 00011 P	Terminal plate
A6	1	LEM 00004 P	Band cover
A7	1	LEM 00006 P	Commutator casting
A8	1	LEM 00007 P	Drive casting
A9	1	LEM 00003 S	Brush holder & Extrusions Sub-assy
A10	1	LEM 00035 P	Brush Cover
A11	16	LEM 00038 P	Drive magnets
A12	1	LEM 00037 P	Bearing
A13	1	LEM 00039 S	Armature



3rd Angle
Projection
Dimensions
MM

Tolerances Unless
Otherwise Specified

0PLC ±0.5
1PLC ±0.2
2PLC ±0.1
3PLC ±0.05
ANGLES ±0.5

Title: LMC 170 Motor Assembly

Material:

Scale: 0.5:1

Part No. LEM 00036 A 00

Surface Finish:

Drawn By:

Alphatech
cad cam services

Phone: 01626 835059 www.cadcam.uk.com

L.M.C.

44 Finimore Ind Est,
Ottery St Mary,
Devon, EX11 1NR

Date: 09/05/06

Tel: +44 (0) 1404 815782
Fax: +44 (0) 1404 813670
Email: sales@lmctd.net

Sheet: 1 of 1

Rev Date Details

1 2 3 4 5 6 7 8 9 10