



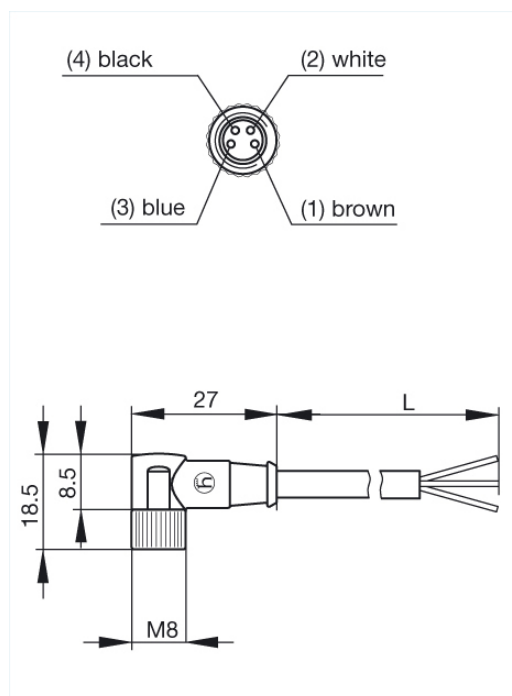
## E08-CC4A1A-FM0200C1-XA500-AC

Industrial Connectors:Sensor connectors M8:with screw locking:Cable socket with integrally molded lead

### Product description

Description	Angled cable socket, with integrally molded lead, selfsecuring lock nut, cable length 2 m
Type	E08-CC4A1A-FM0200C1-XA500-AC
Order No.	934 556-016
Other standard types	cable length 5 m, order no.934 556-017; cable length 10 m, order no.934 556-018
Type of contact	female
Number of contacts	4
Cable material	PUR
Cable color	black
Cable length	2 m
Conductor size	0.25 mm <sup>2</sup>
Cable specification	flexible lead
Cable type	LiF9Y11Y
Standard	IEC 61076-2-101 (Ed. 1)
Housing Color	black

### Drawing



### Technical data

Wire stranding 32 x 0.1

Rated voltage	AC/DC 60 V
Rated current	4 A, notice UL and derating
<b>Material</b>	
Contact material	Cu Sn
Contact surface material	Au
Contact bearer material	PA
Housing material	PUR
Coupling nut material	Zn Al/Ni
O-Ring	Viton
<b>Environmental conditions</b>	
Protection class (IEC 60529)	IP 65, IP 67, IP 68, IP 69K
Pollution severity	3
Temperature range	-25 °C to +90 °C, notice derating
<b>Inflammability class</b>	
Housing	HB
Cable	UL FT1
Contact bearer	V0
<b>Approvals</b>	
UL	UL
<b>Packing unit</b>	
Packaging unit	25 pieces