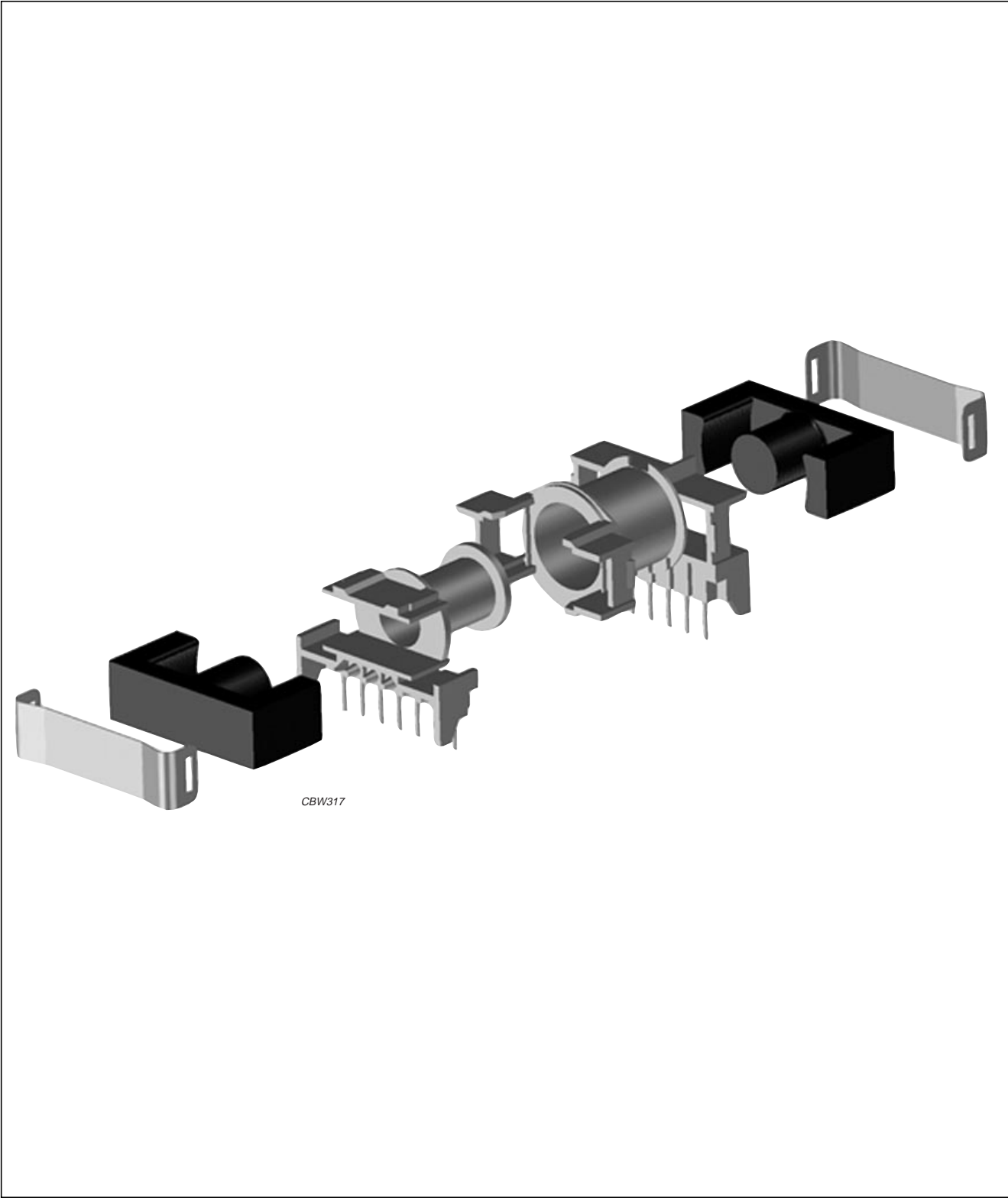


Soft Ferrites

ETD cores and accessories



For more information on Product Status Definitions, see page 3.

Soft Ferrites

ETD cores and accessories

PRODUCT OVERVIEW AND TYPE NUMBER STRUCTURE

Product overview ETD cores

CORE TYPE	V _e (mm ³)	A _e (mm ²)	MASS (g)
ETD29	5470	76.0	14
ETD34	7640	97.1	20
ETD39	11500	125	30
ETD44	17800	173	47
ETD49	24000	211	62
ETD54	35500	280	90
ETD59	51500	368	130

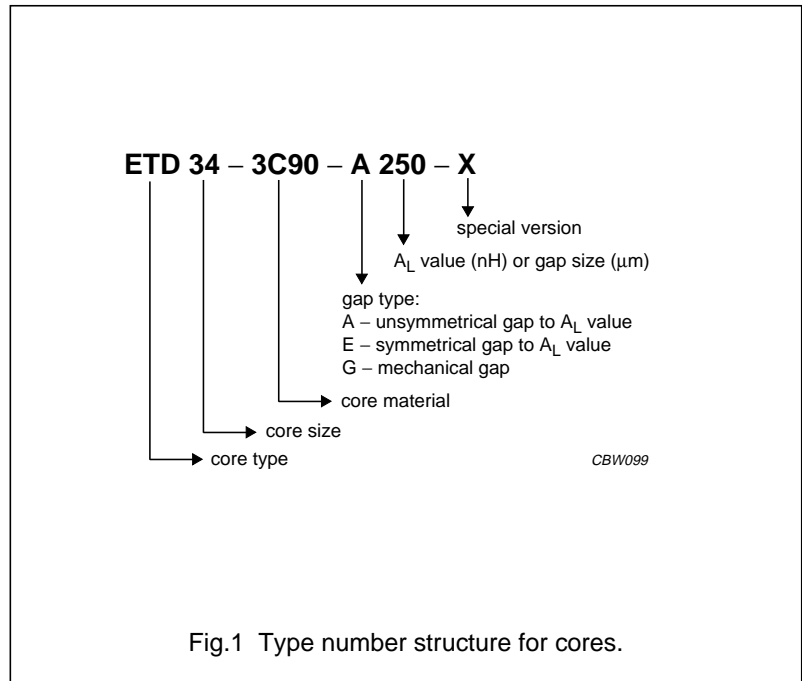


Fig.1 Type number structure for cores.

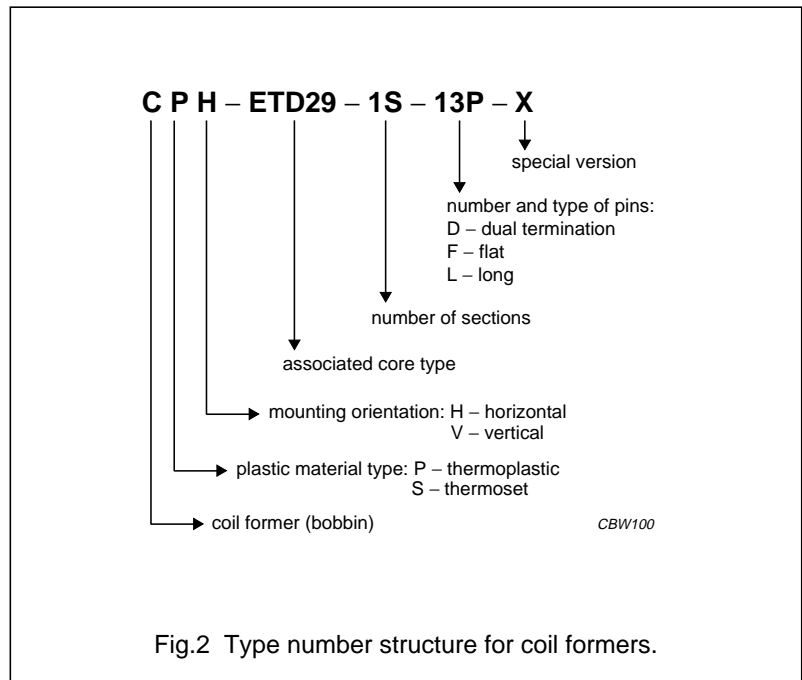


Fig.2 Type number structure for coil formers.