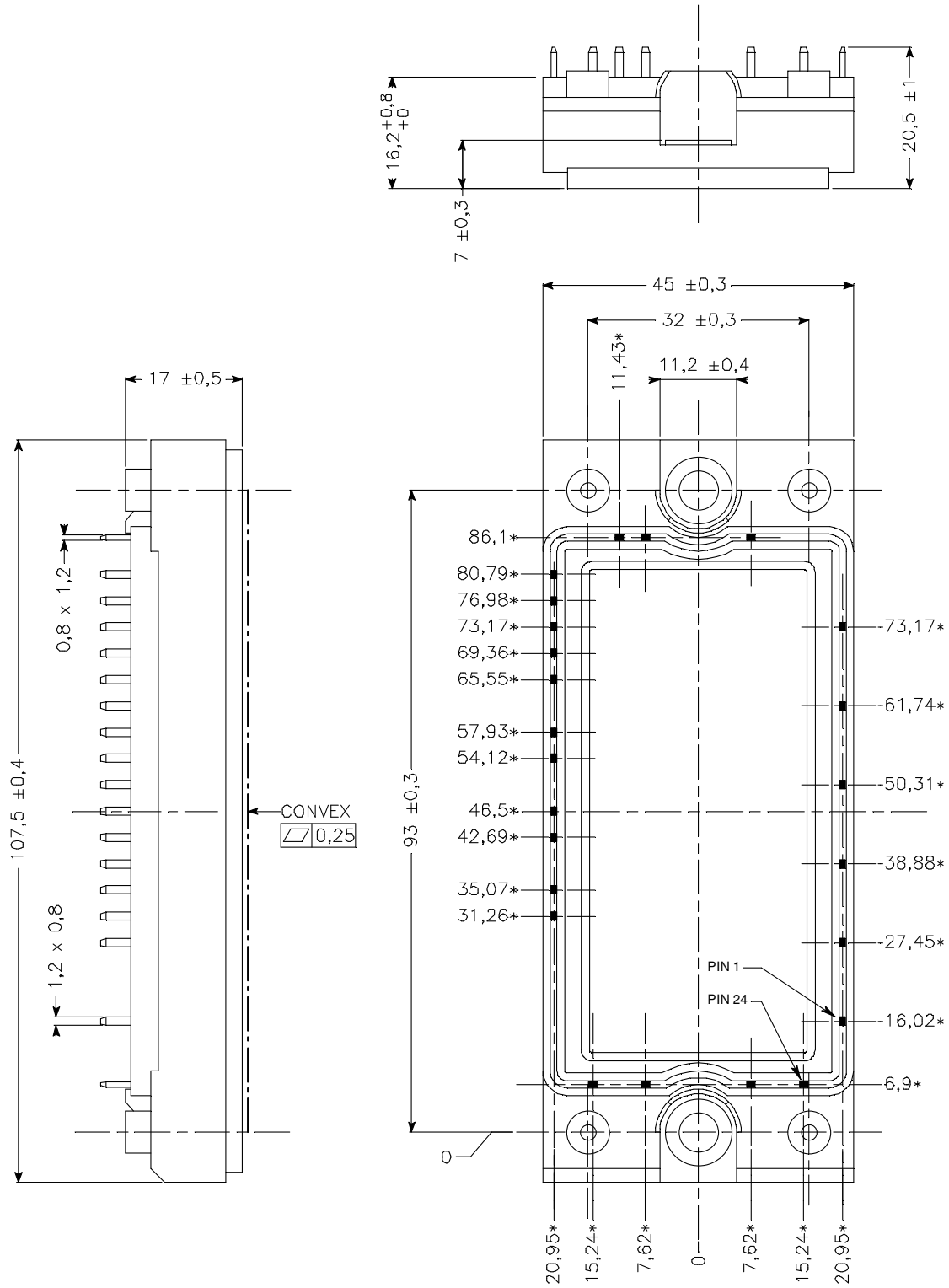


Example of P2 Mechanical Outline



ALL DIMENSIONS MARKED "*" ARE TOLERANCED AS : $\oplus \ominus \varnothing 0,4$