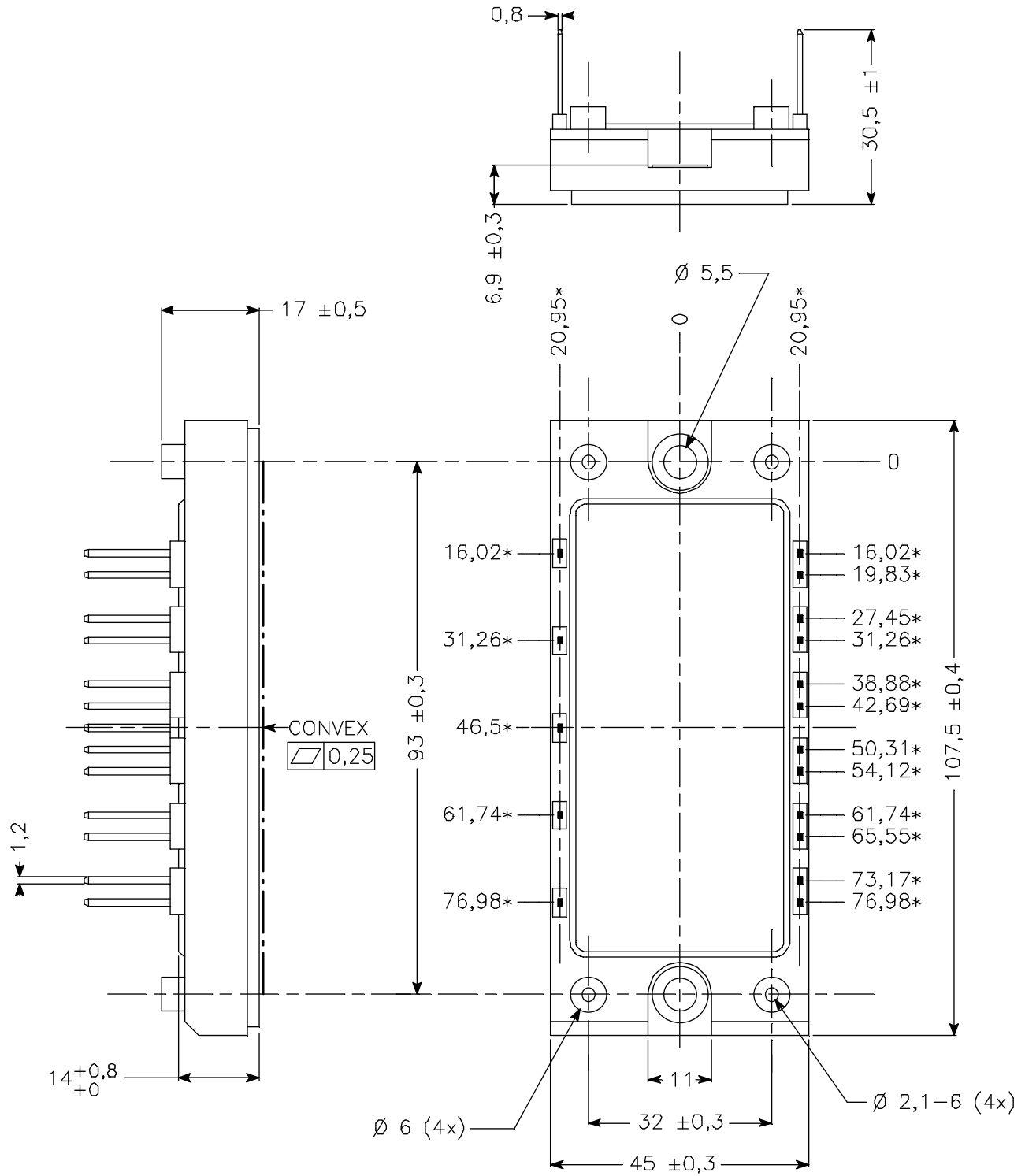


E2 Mechanical outline



ALL DIMENSIONS MARKED "*" ARE TOLERENCED AS : $\varnothing 0,4$