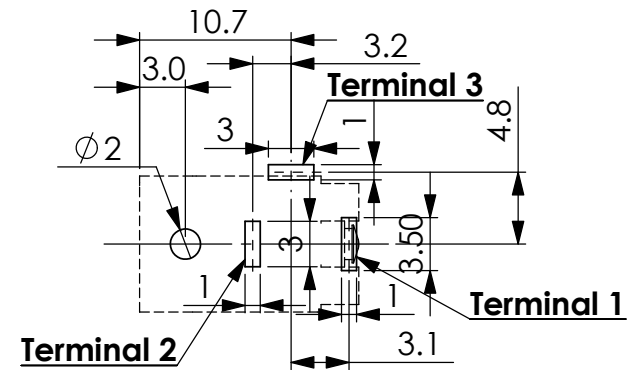
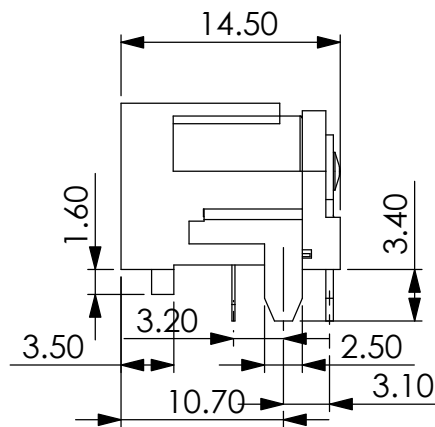
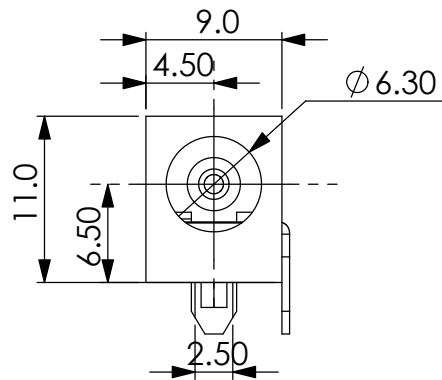
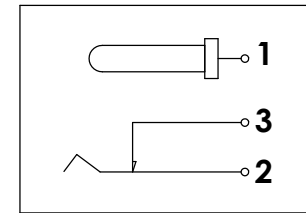


SCHEMATIC



**RECOMMENDED P.C.B. LAYOUT
(BOTTOM VIEW)**

6	Terminal 3	Brass	Silver Ptd.	1
5	Terminal 2	Copper	Silver Ptd.	1
4	Terminal 1	Brass	Silver Ptd.	1
3	Center Pin 2.0	Copper	Nickel Ptd.	1
2	Back Base	PA6T		1
1	Housing	PA6T		1
No.	Description	Material	Treat	Q'ty

Specifications

rating :

16V DC 2.5A MAX

contact resistance :

50mΩ MAX

insulation resistance :

MIN 50MΩ at 500V DC

voltage withstand :

500V AC, 1 minute

品名: ITEM :	2.1 X 5.5 DC SOCKET			一般公差	SHEET:	單位: unit:	mm	日期: date:	'07/01/23	繪圖: drwn by:	DanielShyr
料號: PART NO.	487848	圖號: DRW NO.		.X +/-0.25 .XX +/-0.10	1 1	比例: scale:	2 : 1	版本: version:	V. 1.0	核准: aprVld by:	SkyShyr